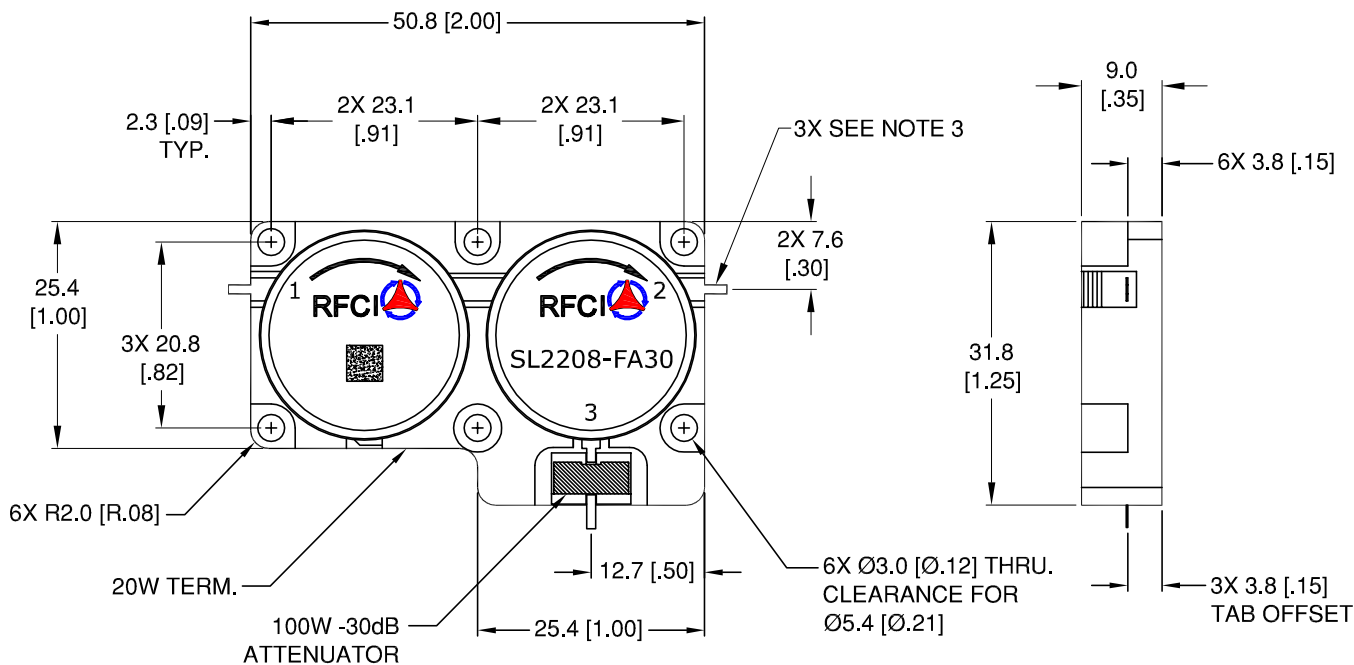


THIS DRAWING HAS BEEN GENERATED BY A CAD SYSTEM. CHANGES SHALL ONLY BE INCORPORATED AS DIRECTED BY THE DESIGN ACTIVITY. DO NOT REVISE MANUALLY.

| REVISIONS | | | | |
|-----------|-----------------|------|----------|----------|
| REV. | DESCRIPTION | ECO | DATE | APPROVED |
| 1 | INITIAL RELEASE | I.R. | 05/11/13 | P.T |



Specifications

| Parameter | Minimum | Typical | Maximum |
|--|---------|---------|---------|
| Frequency Range (MHz) | 869 | | 894 |
| Insertion Loss (dB) | | < .40 | 0.60 |
| Isolation (dB) | 45 | > 55 | |
| Return Loss (dB) | 22 | > 25 | |
| FWD IMD: 2T at 37W per T 5MHz Spacing (dBc) | | 75 | |

- Notes:
1. Typical Values Represent Mid-Band Performance @ +23 °C.
 2. Iso-Attenuator Flange held to +85°C; 30 Mins. maximum Duration
 3. Tab Dims: 1.00[.039]Width x 2.5[.120]Length x .20[.008]Thick

Power & Temperature Ratings

| Parameter | Maximum |
|--------------------------------|----------------|
| Forward PWR Peak/AVG | 1000/200 Watts |
| Reverse Power CW | 100 Watts |
| Attenuator Rating (See Note 2) | 100 Watts |
| Attenuation (P3) | 30dB±1dB |
| Operating Temperature | -40 to +85° C |
| Storage Temperature | -40 to +95° C |

CW 100W DUAL ISO-ATTENUATOR MODEL: SL2208-FA30

| | | | | |
|--|--|---------------------|-------------------------------|---------------|
| <p>UNLESS OTHERWISE SPECIFIED ALL DIMENSIONS ARE IN MILLIMETERS [INCHES]:</p> <p>TOLERANCES ARE:</p> <p>1 PLACE DECIMAL ±.2 [±.01] ANGULAR: ±1.0° 2 PLACE DECIMAL ±.10 [±.004] SURFACE ROUGHNESS 16/</p> <p>REMOVE ALL BURRS AND BREAK SHARP EDGES. SURFACE TEXTURE TO BE IN ACCORDANCE WITH LATEST ANSI B46.1 DIMENSIONING & TOLERANCING IN ACCORDANCE WITH LATEST ANSI Y14.5</p> <p>PROPRIETARY NOTE: "THE INFORMATION CONTAINED ON THIS DOCUMENT IS CONSIDERED TO BE CONFIDENTIAL MATERIAL PROPRIETARY TO RF CIRCULATOR ISOLATOR Inc. (RFCI) AND IS PROVIDED SOLELY FOR INFORMATION PURPOSES. THIS INFORMATION SHALL NOT BE USED BY ANYONE OTHER THAN RFCI TO DESIGN OR CONSTRUCT ANY OF THE ITEMS DEPICTED, NOR SHALL IT BE DISCLOSED, DUPLICATED, OR COPIED FOR ANY PURPOSE, NOR MADE AVAILABLE TO ANY THIRD PARTY WITHOUT THE PRIOR WRITTEN CONSENT OF A RFCI OFFICIAL."</p> | <p>THIRD ANGLE PROJECTION</p> | | | |
| | <p>APPROVALS</p> <p>DATE</p> <p>DRAWN BY: HV 05/08/13</p> <p>CHECKED BY: P.T 05/09/13</p> <p>DESIGN BY: P.T 04/01/13</p> <p>ENGINEER BY: P.T 04/01/13</p> <p>MFG. ENGR. L.T 05/10/13</p> <p>Q.A.</p> <p>PROG. MGMT/MKT</p> | | <h1>OUTLINE/SPECS</h1> | |
| <p>DO NOT SCALE DRAWING</p> | <p>SIZE A</p> | <p>CAGE NO.</p> | <p>DWG NO. SL2208-FA30-OS</p> | <p>REV. 1</p> |
| <p>SCALE: FULL</p> | | <p>SHEET 1 OF 1</p> | | |