



CELLULAR BASE STATION BANDS

FLANGE MOUNT **MINIATURE** DROP-IN ISOLATORS

PRODUCT DESCRIPTION

RFCI Gullwing Miniature Drop-in Isolators designed for Wireless Cellular BST, RFID, and WiMAX applications in high performance linear power amplifiers and utilize the latest technology in miniaturization to assure a fit into the most compact assemblies.



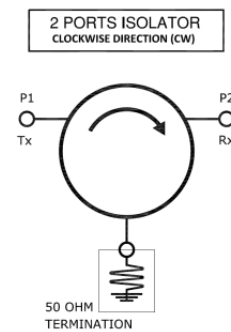
KEY FEATURES

- Miniature drop-in package size.
- Robust Construction for High Reliability performance
- RoHS compliant
- Low typical Insertion loss, High Isolation
- Magnetically Shielded.

- ❖ Products available with alternative configuration and reverse rotation direction.
- ❖ Special Tab is offset available.
- ❖ S-parameters are available upon request.



FUNCTION DIAGRAM



ISOLATOR OUTLINE DRAWING

Figure DI-25
(12.7mm Package Outline)

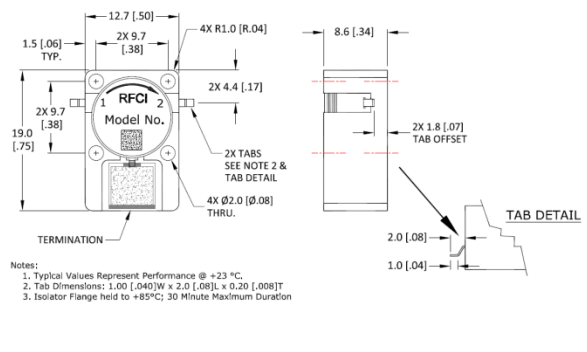
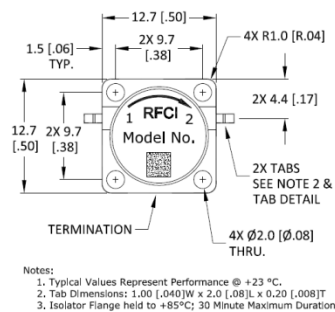


Figure DI-26
(12.7mm Package Outline)

| UNLESS OTHERWISE SPECIFIED ALL DIMENSIONS ARE IN MILLIMETERS (INCHES) | | | |
|--|---------|-----------------|------------------------|
| TOLERANCES ARE: | | | |
| 1 PLACE DECIMAL | ± 0.10 | ANGULAR: ± 1.0° | SURFACE ROUGHNESS: 16/ |
| 2 PLACE DECIMAL | ± 0.025 | | |

5W Isolator, 12.7mm Thick Package

| Frequency Range (MHz) | | Insertion Loss (dB) | Isolation (dB) | Return Loss (dB) | Fwd. PWR P/CW (W) | Rev PWR CW (W) | Operating Temperature | Package Outline | RFCI Part Number |
|-----------------------|-------------|---------------------|----------------|------------------|-------------------|----------------|-----------------------|-----------------|------------------|
| Low | High | Room/OT | Room/OT | Room/OT | Max. | Max. | (°C) | | |
| 2110 | 2170 | 0.25/0.35 | 22/20 | 22/20 | 500/50 | 5 | -40 to +85°C | DI-25 | RFSL2750D |
| 2130 | 2280 | 0.35/0.40 | 21/19 | 21/19 | 500/50 | 5 | -40 to +85°C | DI-25 | RFSL2751D |
| 2300 | 2400 | 0.30/0.40 | 22/20 | 22/20 | 500/50 | 5 | -40 to +85°C | DI-25 | RFSL2910D |
| 2320 | 2370 | 0.25/0.35 | 22/20 | 22/20 | 500/50 | 5 | -40 to +85°C | DI-25 | RFSL2909D |
| 2365 | 2435 | 0.25/0.35 | 22/20 | 22/20 | 500/50 | 5 | -40 to +85°C | DI-25 | RFSL2911D |
| 2400 | 2500 | 0.25/0.35 | 22/20 | 22/20 | 500/50 | 5 | -40 to +85°C | DI-25 | RFSL2913D |
| 2470 | 2730 | 0.35/0.40 | 21/19 | 21/19 | 500/50 | 5 | -40 to +85°C | DI-25 | RFSL2912D |
| 2550 | 2650 | 0.25/0.35 | 22/20 | 22/20 | 500/50 | 5 | -40 to +85°C | DI-25 | RFSL2915D |
| 2620 | 2690 | 0.25/0.35 | 22/20 | 22/20 | 500/50 | 5 | -40 to +85°C | DI-25 | RFSL2917D |

50W Isolator, 12.7mm Thick Package

| Frequency Range (MHz) | | Insertion Loss (dB) | Isolation (dB) | Return Loss (dB) | Fwd. PWR P/CW (W) | Rev PWR CW (W) | Operating Temperature | Package Outline | RFCI Part Number |
|-----------------------|-------------|---------------------|----------------|------------------|-------------------|----------------|-----------------------|-----------------|----------------------|
| Low | High | Room/OT | Room/OT | Room/OT | Max. | Max. | (°C) | | |
| 2110 | 2170 | 0.25/0.35 | 22/20 | 22/20 | 500/50 | 50 | -40 to +85°C | DI-26 | RFSL2750D-T50 |
| 2130 | 2280 | 0.35/0.40 | 21/19 | 21/19 | 500/50 | 50 | -40 to +85°C | DI-26 | RFSL2751D-T50 |
| 2300 | 2400 | 0.30/0.40 | 22/20 | 22/20 | 500/50 | 50 | -40 to +85°C | DI-26 | RFSL2910D-T50 |
| 2320 | 2370 | 0.25/0.35 | 22/20 | 22/20 | 500/50 | 50 | -40 to +85°C | DI-26 | RFSL2909D-T50 |
| 2365 | 2435 | 0.25/0.35 | 22/20 | 22/20 | 500/50 | 50 | -40 to +85°C | DI-26 | RFSL2911D-T50 |
| 2400 | 2500 | 0.25/0.35 | 22/20 | 22/20 | 500/50 | 50 | -40 to +85°C | DI-26 | RFSL2913D-T50 |
| 2470 | 2730 | 0.35/0.40 | 21/19 | 21/19 | 500/50 | 50 | -40 to +85°C | DI-26 | RFSL2912D-T50 |
| 2550 | 2650 | 0.25/0.35 | 22/20 | 22/20 | 500/50 | 50 | -40 to +85°C | DI-26 | RFSL2915D-T50 |
| 2620 | 2690 | 0.25/0.35 | 22/20 | 22/20 | 500/50 | 50 | -40 to +85°C | DI-26 | RFSL2917D-T50 |

Standard Part Number is Clockwise (CW) Rotation. Add letter “R” at the end to Part number for a Counter Clockwise (CCW) Rotation

- See RFCI website www.rf-ci.com for complete part datasheet.