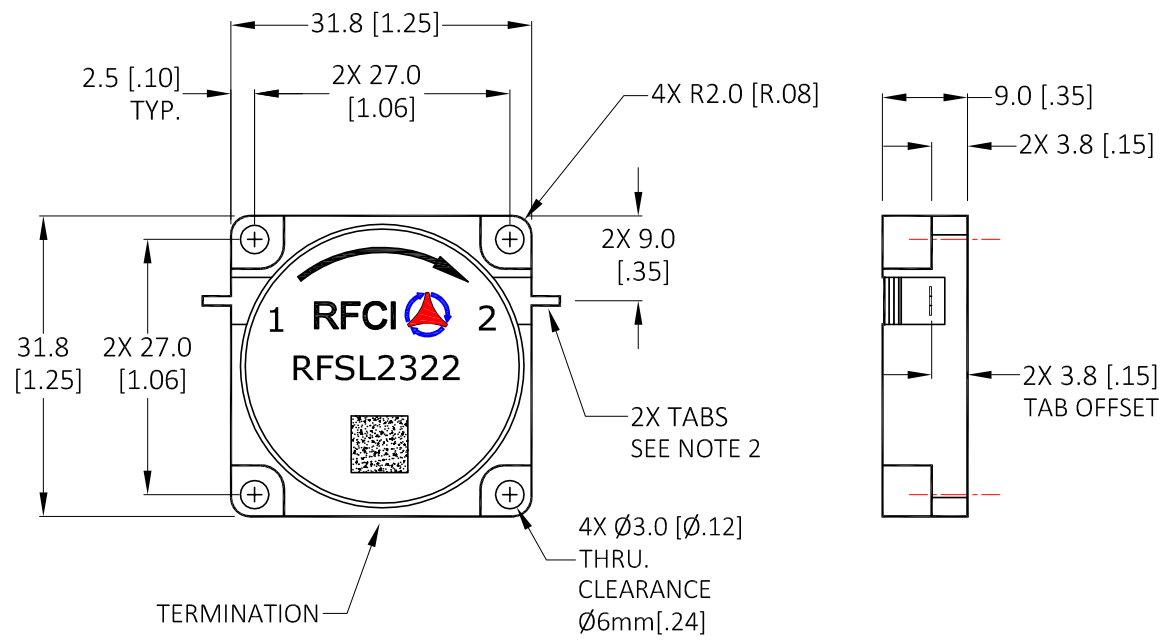


THIS DRAWING HAS BEEN GENERATED BY A CAD SYSTEM. CHANGES SHALL ONLY BE INCORPORATED AS DIRECTED BY THE DESIGN ACTIVITY. DO NOT REVISE MANUALLY.

REVISIONS				
REV.	DESCRIPTION	ECO	DATE	APPROVED
A	INITIAL RELEASE	I.R	02/05/15	P.T



### Specifications

Parameter	Minimum	Typical	Maximum
Frequency Range (MHz)	1000		1400
Insertion Loss (dB)		< .40	.60
Isolation (dB)	17	> 19	
Return Loss (dB)	17	> 19	

### Power & Temperature Ratings

Parameter	Maximum
Forward PWR Peak/AVG	1000/200 Watts
Reverse Power CW	20 Watts
Termination Rating (See Note 3)	20 Watts
Operating Temperature	-20 to +85° C
Storage Temperature	-40 to +95° C

- Notes:
1. Typical Values Represent Performance @ +23 °C.
  2. Tab Dimensions: 1.00 [.040]W x 3.0 [.12]L x 0.20 [.008]T
  3. Isolator Flange held to +85°C; 30 Minute Maximum Duration

### CW ISOLATOR MODEL: RFSL2322

<p>UNLESS OTHERWISE SPECIFIED ALL DIMENSIONS ARE IN MILLIMETERS [INCHES]:</p> <p>TOLERANCES ARE:                  1 PLACE DECIMAL ±.2 [±.01] ANGULAR: ±1.0°                  2 PLACE DECIMAL ±.10 [±.004] SURFACE ROUGHNESS 16/</p> <p>REMOVE ALL BURRS AND BREAK SHARP EDGES.                  SURFACE TEXTURE TO BE IN ACCORDANCE WITH LATEST ANSI B46.1                  DIMENSIONING &amp; TOLERANCING IN ACCORDANCE WITH LATEST ANSI Y14.5</p> <p>PROPRIETARY NOTE: "THE INFORMATION CONTAINED ON THIS DOCUMENT IS CONSIDERED TO BE CONFIDENTIAL MATERIAL PROPRIETARY TO RF CIRCULATOR ISOLATOR Inc. (RFCI) AND IS PROVIDED SOLELY FOR INFORMATION PURPOSES.                  THIS INFORMATION SHALL NOT BE USED BY ANYONE OTHER THAN RFCI TO DESIGN OR CONSTRUCT ANY OF THE ITEMS DEPICTED, NOR SHALL IT BE DISCLOSED, DUPLICATED, OR COPIED FOR ANY PURPOSE, NOR MADE AVAILABLE TO ANY THIRD PARTY WITHOUT THE PRIOR WRITTEN CONSENT OF A RFCI OFFICIAL."</p> <p>DO NOT SCALE DRAWING</p>	<p>THIRD ANGLE PROJECTION</p>	<h1 style="margin: 0;">RFCI</h1> <h2 style="margin: 10px 0 0 0;">OUTLINE/SPECS</h2>																								
<table border="1" style="width: 100%; border-collapse: collapse;"> <tr> <td style="width: 50%;">APPROVALS</td> <td style="width: 50%;">DATE</td> </tr> <tr> <td>DRAWN BY:</td> <td></td> </tr> <tr> <td>CHECKED BY:</td> <td></td> </tr> <tr> <td>DESIGN BY:</td> <td></td> </tr> <tr> <td>ENGINEER BY:</td> <td></td> </tr> <tr> <td>MFG. ENGR.</td> <td></td> </tr> <tr> <td>Q.A.</td> <td></td> </tr> <tr> <td>PROG. MGMT/MKT</td> <td></td> </tr> </table>	APPROVALS	DATE	DRAWN BY:		CHECKED BY:		DESIGN BY:		ENGINEER BY:		MFG. ENGR.		Q.A.		PROG. MGMT/MKT		<table border="1" style="width: 100%; border-collapse: collapse;"> <tr> <td style="width: 25%;">SIZE</td> <td style="width: 25%;">CAGE NO.</td> <td style="width: 25%;">DWG NO.</td> <td style="width: 25%;">REV.</td> </tr> <tr> <td style="text-align: center;">A</td> <td></td> <td style="text-align: center;">SL2322-OS</td> <td style="text-align: center;">A</td> </tr> </table>		SIZE	CAGE NO.	DWG NO.	REV.	A		SL2322-OS	A
APPROVALS	DATE																									
DRAWN BY:																										
CHECKED BY:																										
DESIGN BY:																										
ENGINEER BY:																										
MFG. ENGR.																										
Q.A.																										
PROG. MGMT/MKT																										
SIZE	CAGE NO.	DWG NO.	REV.																							
A		SL2322-OS	A																							
SCALE: FULL		SHEET 1 OF 1																								