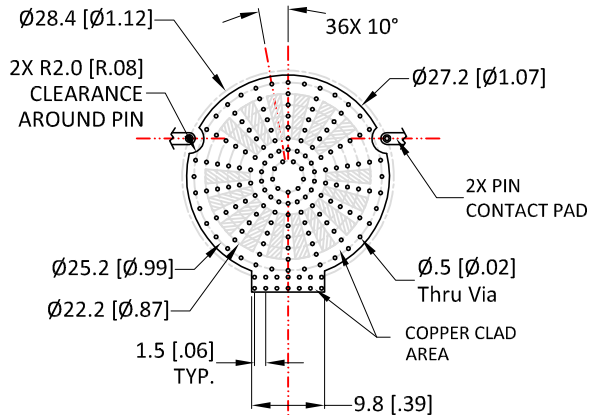
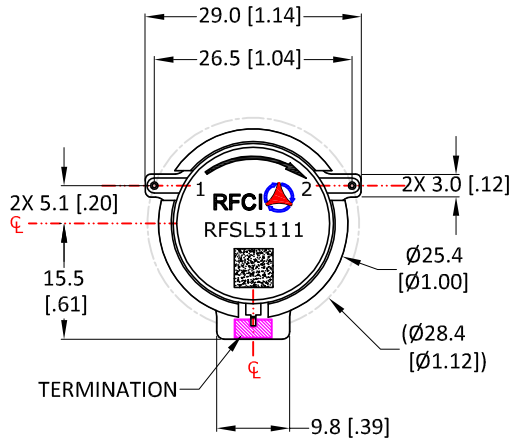


REVISIONS

REV.	DESCRIPTION	ECO	DATE	APPROVED
A	INITIAL RELEASE	IR	06/27/15	P.T

THIS DRAWING HAS BEEN GENERATED BY A CAD SYSTEM. CHANGES SHALL ONLY BE INCORPORATED AS DIRECTED BY THE DESIGN ACTIVITY. DO NOT REVISE MANUALLY.



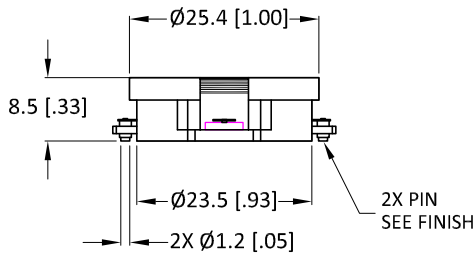
SolderMask Pattern

**Recommended Footprint  
Copper-SolderMask Pattern**

The Land Pattern should be with good thermal conductivity

Finish:

- Housing: Silver plated
- Pin: Gold plated
- Coplanarity specification: 0.10 [.004] MAX.



**Specifications**

Parameter	Minimum	Typical	Maximum
Frequency Range (MHz)	791		821
Insertion Loss (dB)		< .22	.30
Isolation (dB)	20	> 23	
Return Loss (dB)	20	> 23	
FWD IMD: 2T at 37W per T 5MHz Spacing (dBc)		75	

**Power & Temperature Ratings**

Parameter	Maximum
Forward PWR Peak/AVG	500/100 Watts
Reverse Power CW	20 Watts
Termination Rating (See Note 2)	20 Watts
Operating Temperature	-40 to +85° C
Storage Temperature	-50 to +125° C

NOTES:

- Typical Values Represent Performance @ +23 °C.
- Isolator Flange held to +85°C; 30 Min. maximum Duration.

**CW SMD ISOLATOR MODEL: RFSL5111**

<p><b>UNLESS OTHERWISE SPECIFIED</b> ALL DIMENSIONS ARE IN MILLIMETERS [INCHES]:</p> <p style="text-align: center;">TOLERANCES ARE:</p> <p>1 PLACE DECIMAL ±.2 [±.01]     ANGULAR: ±1.0° 2 PLACE DECIMAL ±.10 [±.004]     SURFACE ROUGHNESS 16/</p> <p style="text-align: center;">REMOVE ALL BURRS AND BREAK SHARP EDGES. SURFACE TEXTURE TO BE IN ACCORDANCE WITH LATEST ANSI B46.1 DIMENSIONING &amp; TOLERANCING IN ACCORDANCE WITH LATEST ANSI Y14.5</p> <p><b>PROPRIETARY NOTE:</b> "THE INFORMATION CONTAINED ON THIS DOCUMENT IS CONSIDERED TO BE CONFIDENTIAL MATERIAL PROPRIETARY TO RF CIRCULATOR ISOLATOR Inc. (RFCI) AND IS PROVIDED SOLELY FOR INFORMATION PURPOSES. THIS INFORMATION SHALL NOT BE USED BY ANYONE OTHER THAN RFCI TO DESIGN OR CONSTRUCT ANY OF THE ITEMS DEPICTED, NOR SHALL IT BE DISCLOSED, DUPLICATED, OR COPIED FOR ANY PURPOSE, NOR MADE AVAILABLE TO ANY THIRD PARTY WITHOUT THE PRIOR WRITTEN CONSENT OF A RFCI OFFICIAL."</p> <p style="text-align: center;"><b>DO NOT SCALE DRAWING</b></p>	<p>THIRD ANGLE PROJECTION</p>	<p style="font-size: 2em;"><b>RFCI</b></p>									
	<p>APPROVALS</p> <p>DRAWN BY:</p> <p>CHECKED BY:</p> <p>DESIGN BY:</p> <p>ENGINEER BY:</p> <p>MFG. ENGR.</p> <p>Q.A.</p> <p>PROG. MGMT/MKT</p>			<p>DATE</p>							
<p><b>OUTLINE/SPECS</b></p>		<table border="1" style="width:100%; border-collapse: collapse;"> <tr> <td style="width:5%;">SIZE</td> <td style="width:20%;">CAGE NO.</td> <td style="width:60%;">DWG NO.</td> <td style="width:15%;">REV.</td> </tr> <tr> <td style="text-align: center;">A</td> <td></td> <td style="text-align: center; font-size: 1.2em;">SL5111-OS</td> <td style="text-align: center;">A</td> </tr> </table>	SIZE	CAGE NO.	DWG NO.	REV.	A		SL5111-OS	A	
SIZE	CAGE NO.	DWG NO.	REV.								
A		SL5111-OS	A								
<p>SCALE: FULL</p>		<p>SHEET 1 OF 1</p>									