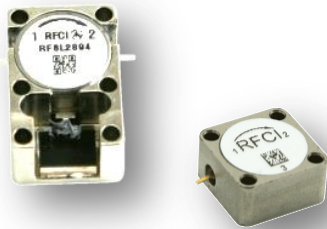


# COMMUNICATION NARROW BAND

## FLANGE MOUNT DROP-IN ISOLATORS S-BAND MINATURE

### PRODUCT DESCRIPTION

RFCI Miniature Drop-in Isolators designed for S-Bands Radar applications in high performance linear power amplifiers and utilize the latest technology in miniaturization to assure a fit into the most compact assemblies.



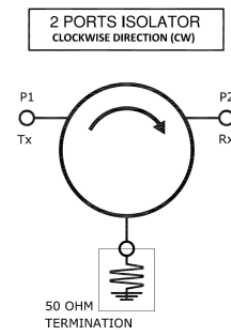
### KEY FEATURES

- Miniature drop-in package size.
- Robust Construction for High Reliability performance
- RoHS compliant
- Low typical Insertion loss, High Isolation
- Magnetically Shielded.

- ❖ Products available with alternative configuration such as attenuators, high power termination and reverse rotation direction.
- ❖ Special Tab is offset available.
- ❖ S-parameters are available upon request.

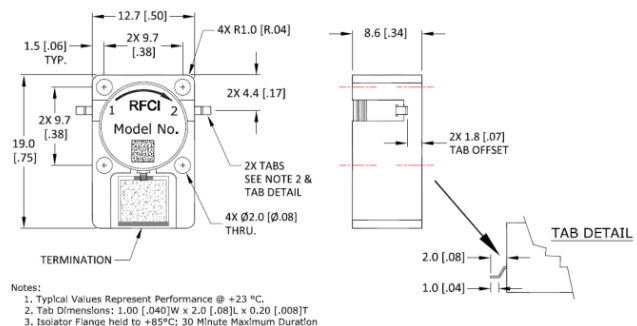
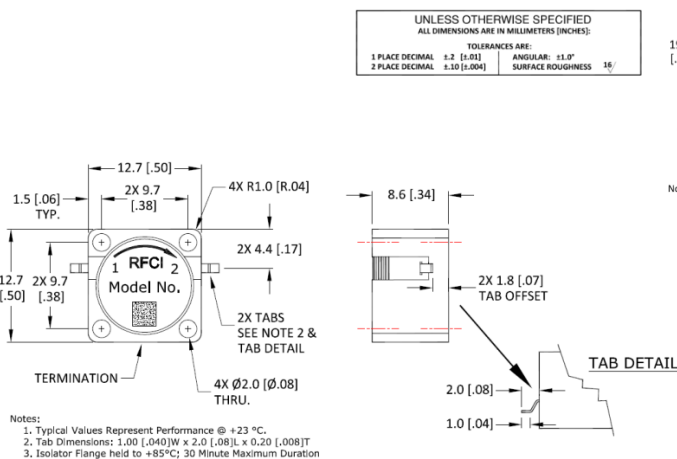


### FUNCTION DIAGRAM



### ISOLATOR OUTLINE DRAWING

**Figure DI-25**  
(12.7mm Package Outline-5W)



**Figure DI-26**  
(12.7mm Package Outline-50W)

### 5W Isolator, 12.7mm Thick Package

Frequency Range (MHz)		Insertion Loss (dB)		Return Loss (dB)	Fwd. PWR P/CW (W)	Rev PWR CW (W)	Operating Temperature (°C)	Package Outline	RFCI Part Number
Low	High	Room/OT	Room/OT	Room/OT	Max.	Max.	(°C)		
<b>2700</b>	<b>3100</b>	0.35/0.50	20/18	20/18	500/50	5	-40 to +85°C	DI-25	<b>RFSL2939D</b>
<b>2700</b>	<b>2900</b>	0.35/0.40	21/19	21/19	500/50	5	-40 to +85°C	DI-25	<b>RFSL2914D</b>
<b>2900</b>	<b>3100</b>	0.35/0.40	21/19	21/19	500/50	5	-40 to +85°C	DI-25	<b>RFSL2916D</b>
<b>3100</b>	<b>3300</b>	0.35/0.40	21/19	21/19	500/50	5	-40 to +85°C	DI-25	<b>RFSL2918D</b>
<b>3300</b>	<b>3400</b>	0.25/0.35	22/20	22/20	500/50	5	-40 to +85°C	DI-25	<b>RFSL2919D</b>
<b>3400</b>	<b>3600</b>	0.25/0.35	22/20	22/20	500/50	5	-40 to +85°C	DI-25	<b>RFSL2920D</b>

### 50W Isolator, 12.7mm Thick Package

Frequency Range (MHz)		Insertion Loss (dB)		Return Loss (dB)	Fwd. PWR P/CW (W)	Rev PWR CW (W)	Operating Temperature (°C)	Package Outline	RFCI Part Number
Low	High	Room/OT	Room/OT	Room/OT	Max.	Max.	(°C)		
<b>2700</b>	<b>3100</b>	0.35/0.50	20/18	20/18	500/50	50	-40 to +85°C	DI-26	<b>RFSL2939D-T50</b>
<b>2700</b>	<b>2900</b>	0.35/0.40	21/19	21/19	500/50	50	-40 to +85°C	DI-26	<b>RFSL2914D-T50</b>
<b>2900</b>	<b>3100</b>	0.35/0.40	21/19	21/19	500/50	50	-40 to +85°C	DI-26	<b>RFSL2916D-T50</b>
<b>3100</b>	<b>3300</b>	0.35/0.40	21/19	21/19	500/50	50	-40 to +85°C	DI-26	<b>RFSL2918D-T50</b>
<b>3300</b>	<b>3400</b>	0.25/0.35	22/20	22/20	500/50	50	-40 to +85°C	DI-26	<b>RFSL2919D-T50</b>
<b>3400</b>	<b>3600</b>	0.25/0.35	22/20	22/20	500/50	50	-40 to +85°C	DI-26	<b>RFSL2920D-T50</b>

Standard Part Number is Clockwise (CW) Rotation. Add letter “R” at the end to Part number for a Counter Clockwise (CCW) Rotation

- See RFCI website [www.rf-ci.com](http://www.rf-ci.com) for complete part datasheet.