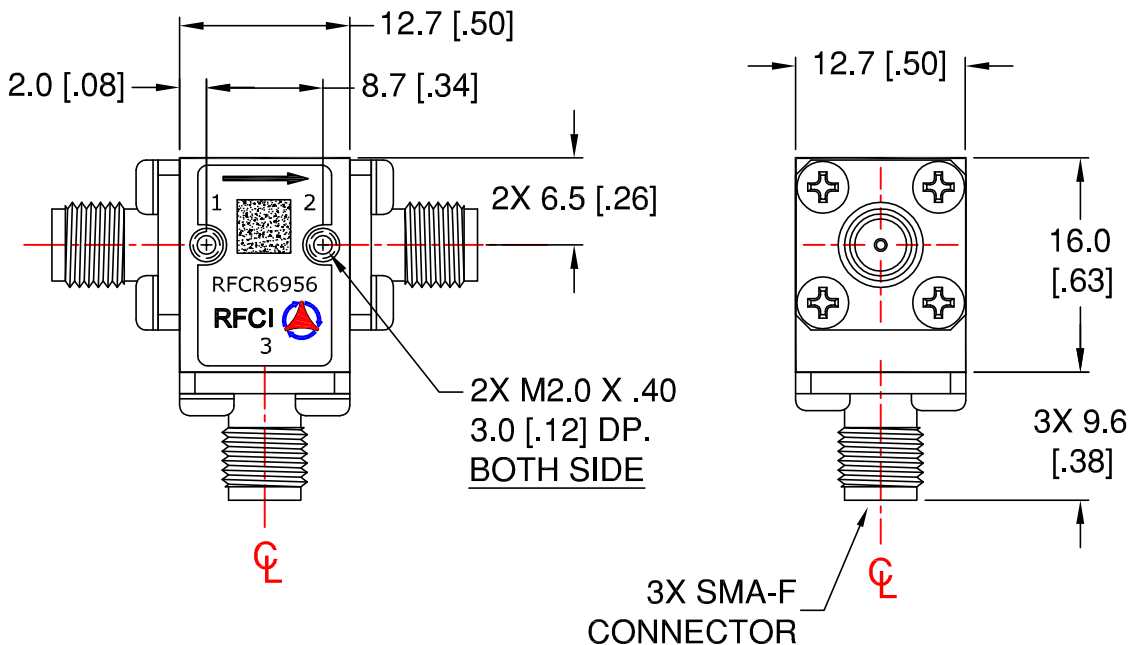


THIS DRAWING HAS BEEN GENERATED BY A CAD SYSTEM. CHANGES SHALL ONLY BE INCORPORATED AS DIRECTED BY THE DESIGN ACTIVITY. DO NOT REVISE MANUALLY.

REVISIONS

REV.	DESCRIPTION	ECO	DATE	APPROVED
A	INITIAL RELEASE	I.R.	11/15/15	P.T



Specifications

Parameter	Minimum	Typical	Maximum
Frequency Range (MHz)	5400		5900
Insertion Loss (dB)		< .30	.40
Isolation (dB)	20	> 22	
Return Loss (dB)	20	> 22	

Power & Temperature Ratings

Parameter	Maximum
Forward PWR Peak/AVG	250/25 Watts
Reverse Power CW	25 Watts
Operating Temperature	-40 to +85° C
Storage Temperature	-40 to +95° C

SMA-f CIRCULATOR MODEL RFCR6956

<p>UNLESS OTHERWISE SPECIFIED ALL DIMENSIONS ARE IN MILLIMETERS [INCHES]:</p> <p>TOLERANCES ARE:</p> <table border="1"> <tr> <td>1 PLACE DECIMAL</td> <td>±.2 [±.01]</td> <td>ANGULAR: ±1.0°</td> <td></td> </tr> <tr> <td>2 PLACE DECIMAL</td> <td>±.10 [±.004]</td> <td>SURFACE ROUGHNESS</td> <td>16/</td> </tr> </table> <p>REMOVE ALL BURRS AND BREAK SHARP EDGES. SURFACE TEXTURE TO BE IN ACCORDANCE WITH LATEST ANSI B46.1 DIMENSIONING &amp; TOLERANCING IN ACCORDANCE WITH LATEST ANSI Y14.5</p> <p>PROPRIETARY NOTE: "THE INFORMATION CONTAINED ON THIS DOCUMENT IS CONSIDERED TO BE CONFIDENTIAL MATERIAL PROPRIETARY TO RF CIRCULATOR ISOLATOR Inc. (RFCI) AND IS PROVIDED SOLELY FOR INFORMATION PURPOSES. THIS INFORMATION SHALL NOT BE USED BY ANYONE OTHER THAN RFCI TO DESIGN OR CONSTRUCT ANY OF THE ITEMS DEPICTED, NOR SHALL IT BE DISCLOSED, DUPLICATED, OR COPIED FOR ANY PURPOSE, NOR MADE AVAILABLE TO ANY THIRD PARTY WITHOUT THE PRIOR WRITTEN CONSENT OF A RFCI OFFICIAL."</p> <p>DO NOT SCALE DRAWING</p>		1 PLACE DECIMAL	±.2 [±.01]	ANGULAR: ±1.0°		2 PLACE DECIMAL	±.10 [±.004]	SURFACE ROUGHNESS	16/	<p>THIRD ANGLE PROJECTION</p> <table border="1"> <tr> <th>APPROVALS</th> <th>DATE</th> </tr> <tr> <td>DRAWN BY:</td> <td></td> </tr> <tr> <td>CHECKED BY:</td> <td></td> </tr> <tr> <td>DESIGN BY:</td> <td></td> </tr> <tr> <td>ENGINEER BY:</td> <td></td> </tr> <tr> <td>MFG. ENGR.</td> <td></td> </tr> <tr> <td>Q.A.</td> <td></td> </tr> <tr> <td>PROG. MGMT/MKT</td> <td></td> </tr> </table>	APPROVALS	DATE	DRAWN BY:		CHECKED BY:		DESIGN BY:		ENGINEER BY:		MFG. ENGR.		Q.A.		PROG. MGMT/MKT		<p><b>RFCI</b> </p> <p>TITLE</p> <p><b>OUTLINE/SPECS</b></p> <table border="1"> <tr> <td>SIZE</td> <td>CAGE NO.</td> <td>DWG NO.</td> <td>REV.</td> </tr> <tr> <td>A</td> <td></td> <td>CR6956-0S</td> <td>A</td> </tr> </table> <p>SCALE: FULL</p> <p>SHEET 1 OF 1</p>	SIZE	CAGE NO.	DWG NO.	REV.	A		CR6956-0S	A
1 PLACE DECIMAL	±.2 [±.01]	ANGULAR: ±1.0°																																	
2 PLACE DECIMAL	±.10 [±.004]	SURFACE ROUGHNESS	16/																																
APPROVALS	DATE																																		
DRAWN BY:																																			
CHECKED BY:																																			
DESIGN BY:																																			
ENGINEER BY:																																			
MFG. ENGR.																																			
Q.A.																																			
PROG. MGMT/MKT																																			
SIZE	CAGE NO.	DWG NO.	REV.																																
A		CR6956-0S	A																																